



Time is an essence

TA300 Desktop Time and Attendance Fingerprint Terminal

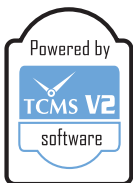


TA300 is the latest time attendance machine from FingerTec that works like a mobile gadget, a desktop standalone fingerprint reader that does not require installation. The simplicity and mobility of TA300 makes it suitable for tasks that require attendance on the go such as training centers, tuition centers, construction workers, etc. Having an internal battery that can last up to 5 hours of normal usage, TA300 is not only competitively priced, it is also providing extra convenience to users.

TA300 model is ideal for small and medium companies that are looking for cost effective time clocking system that can increase efficiency in managing human resources. Employees check in and out using TA300, and by the end of the day, all you need to do is to plug the USB cable into your PC and download the data into powerful TCMS V2 software for attendance reports.

TA300 can contain up to 500 fingerprint templates and 30000 transactions per terminal. TA300 really gives you value for your money! Choose TA300 for simple attendance and attendance on-the-go!

Note: Default TA300 is not embedded with any card reader but TA300 is compatible with three types of card technologies separately; If you require RFID, HID or MiFare reader in your TA300, contact us to order.



FEATURES & BENEFITS

EASY ENROLMENT

Enroll and take attendance with TA300 in a few easy steps. You can choose to enroll at the terminal or you can do it via TCMS V2 software. From the terminal, push Enroll FP button and follow the instructions given by the machine. Password and Card enrolment also can be done at the terminal itself.

EASY DATA DOWNLOAD

Downloading of data to TCMS V2 in a PC is easy with TA300; all you need to do is to plug in the USB cable from TA300 to a PC to download data to TCMS V2.

EASY USER MANAGEMENT

You can delete users from the terminal by pressing on the DelUser button. However please make sure that you have enrolled administrator to the system to avoid unauthorized deletion.

EASY INSTALLATION

TA300 doesn't need any installation. Just place the terminal on any surface and start using TA300 with ease.

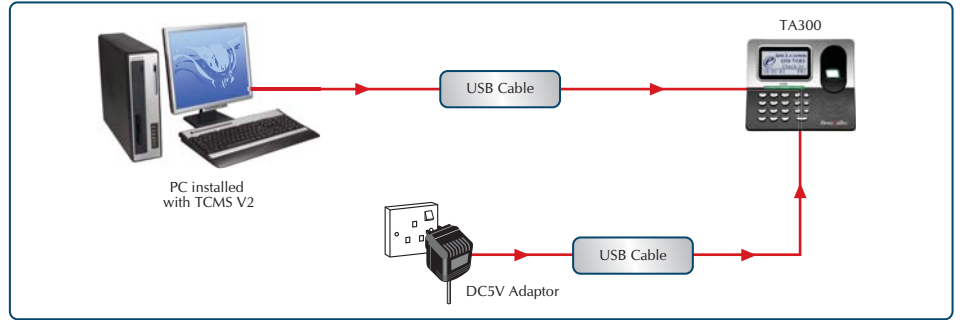
EASY ON THE POCKET

TA300 is suitable for a small medium office, which follows simple attendance rules, and it's offered at a very competitive price.

LAYOUT PLAN

Layout Plan (Single Terminal System)

for illustration only



SPECIFICATIONS

MODEL	TA300
SURFACE FINISHING	Acrylonitrile Butadiene Styrene (ABS)
TYPE OF SCANNER	Optical
PRODUCT DIMENSION (L X W X H), mm	190 x 52 x 140
STORAGE	
• Fingerprint templates	500
• Transaction	30000
ENROLLMENT & VERIFICATION	
• Methods	Fingerprint (1:1, 1:N), Password
• Recommended fingerprint per user ID	2
• Fingerprint placement	Any angle
• Verification time (sec)	< 1
• FAR (%)	< 0.0001
• FRR (%)	< 1
CARD TECHNOLOGY	
• RFID: 64-bit, 125kHz	Made to order
• MIFARE: MFIS50/S70, 13.56MHz	Made to order
• HID: HID 1325, 26-bit, 125kHz	Made to order
COMMUNICATIONS	
• Method	USB
• Baud rates	N/A
OPERATING ENVIRONMENT	
• Temperature (°C)	0 ~ 45
• Humidity (%)	20 ~ 80
• Power input	DC5V 800mA
• Backup battery	DC 3.7V 1300mAh
TIME ATTENDANCE	
• Siren	N/A
• Work codes	N/A
MULTIMEDIA	
• Voice	Yes
VOICE / DISPLAY LANGUAGE (TERMINAL)	English (Standard) / (Upon Request - Arabic / Indonesian / Spanish / Turkish / Thai / Polish / Korea / Romanian / Portuguese / Dutch / Chinese / French / Slovenian / Russian / Greek / Hebrew / Persian / Italian / Vietnamese / Czech / Bulgarian)
SOFTWARE LANGUAGE	English, Arabic, Indonesian, Spanish, Chinese, Thai, Vietnamese, French, Persian, Italian, Russian, Malay, Portuguese, German

*N/A: Not applicable



Packaging

Dimension (mm): 207(L) x 136(W) x 146(H)
Weight : 1.2kg



FINGERTEC
www.fingertec.com

©2010 FingerTec Worldwide Sdn. Bhd. All rights reserved.

Authorized Reseller: